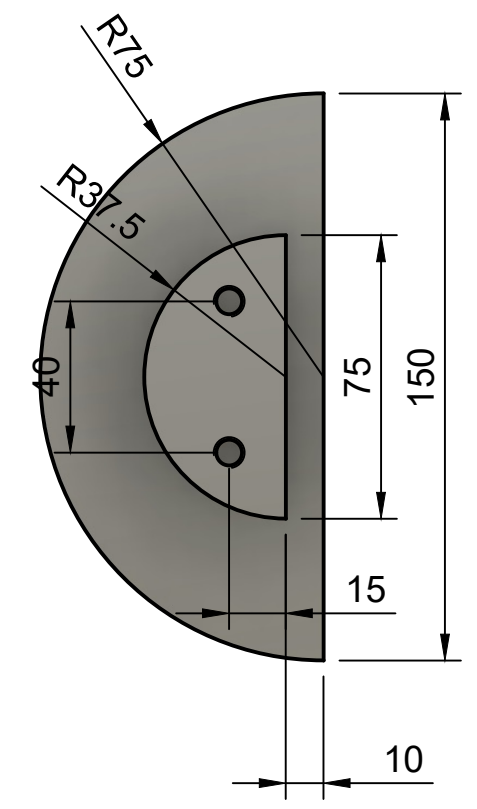
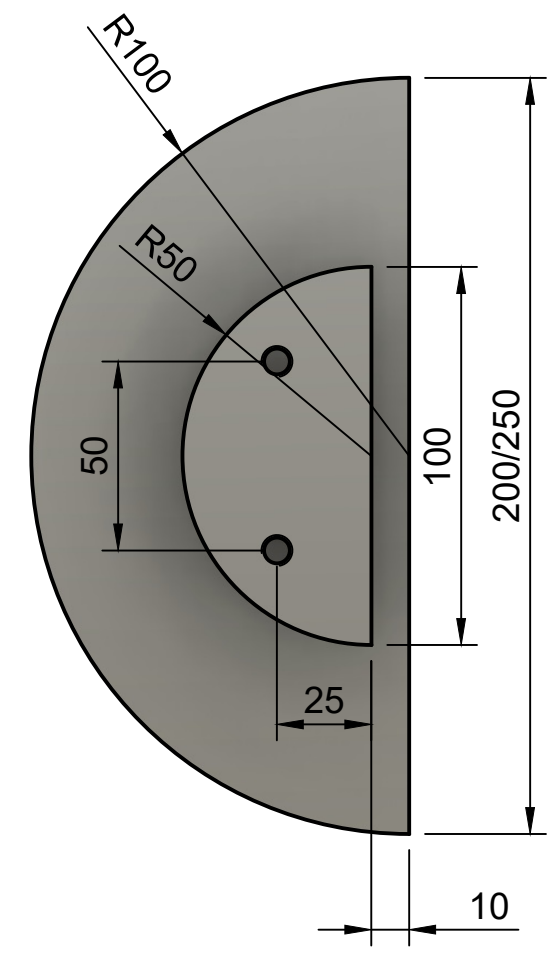
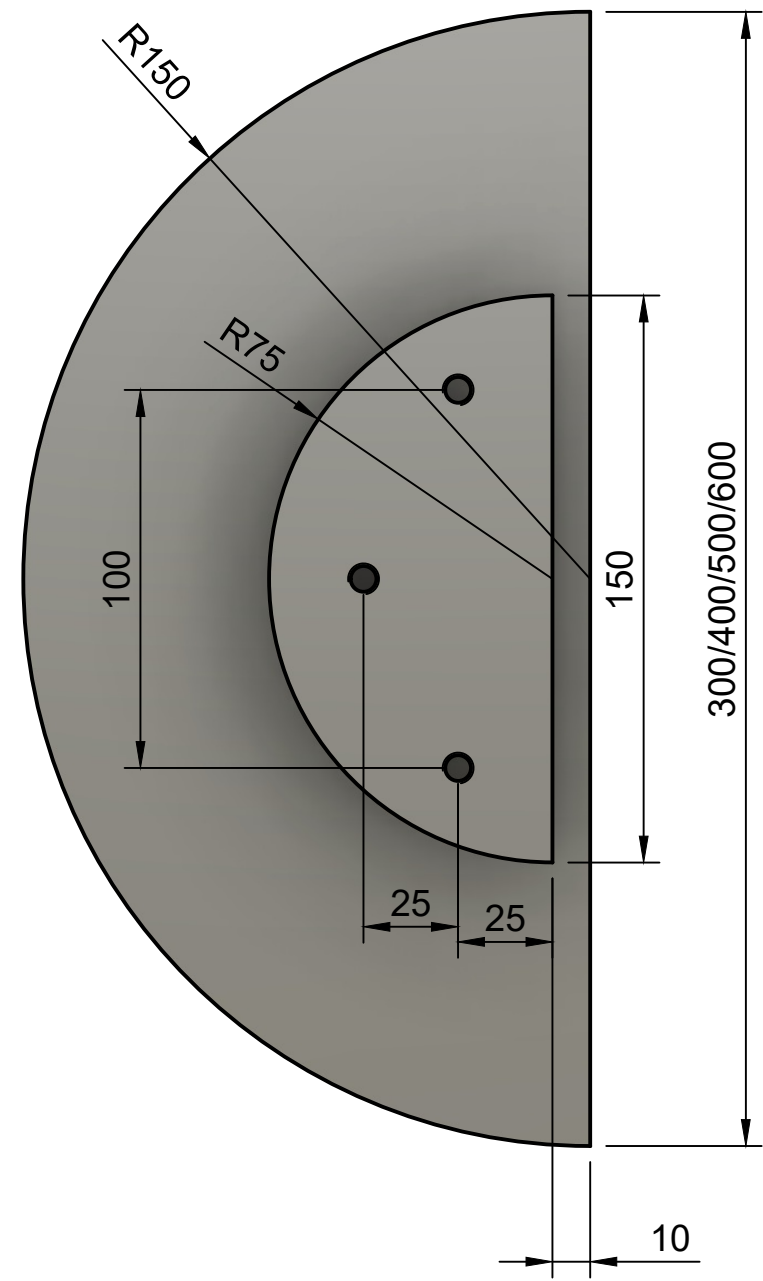
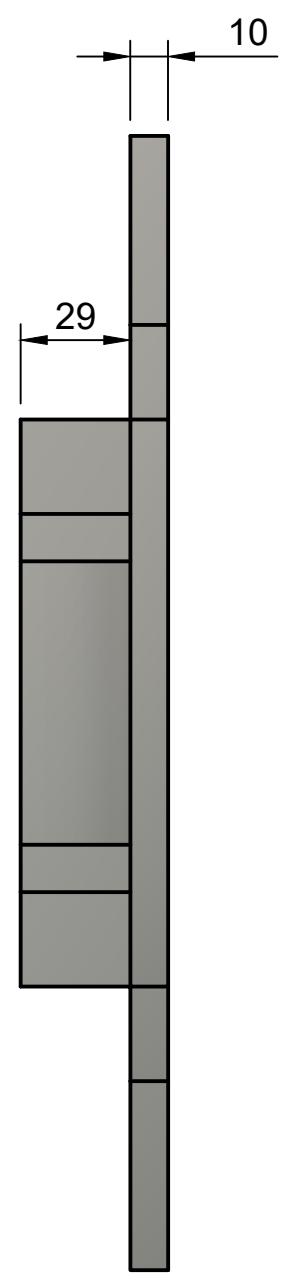



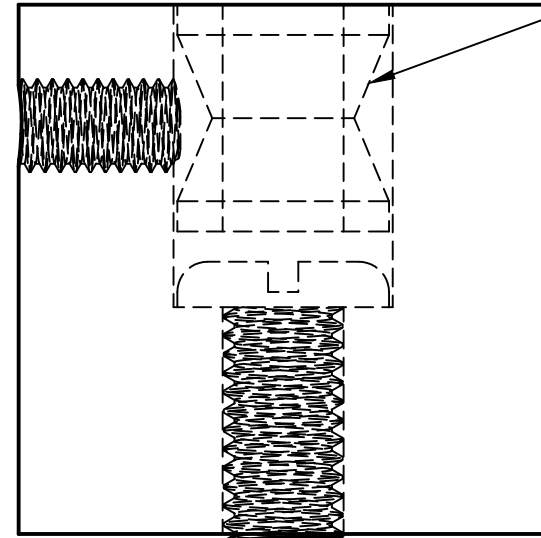
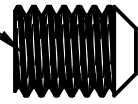
DIAMETER	STAND DIAMETER	PROJECTION	THRU HOLE FIXING TIMBER DOOR	THRU HOLE FIXING GLASS DOOR
150	75	39	8	13
200	100	39	8	13
250	100	39	8	13
300	150	39	8	13
400	150	39	8	13
500	150	39	8	13
600	150	39	8	13





Drawing	M02 Entrance Handles
Date	20/02/2023
Scale	1:2

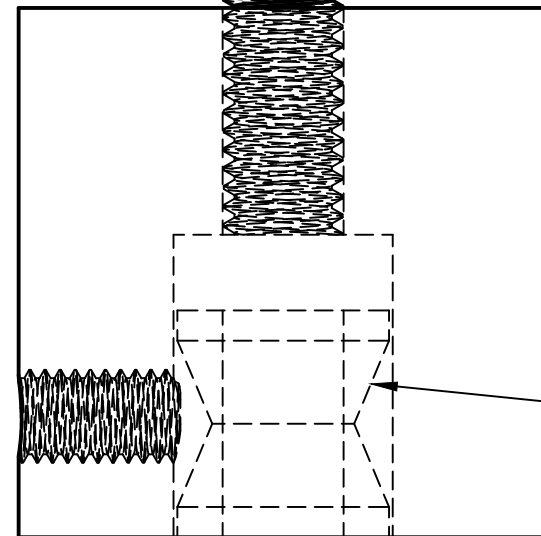
Grub Screw



Brass Ferrule

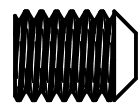
Handle Stand

M8 Bolt



Threaded
Handle Stand

Brass Ferrule



Installation Instructions

IMPORTANT! Mark and drill door from both sides.

Cut bolt to required length. Allow 30mm longer than door thickness.

Screw stands together through door.

Place handle on stand, inserting Ferrules into stand.

Tighten Grub Screws

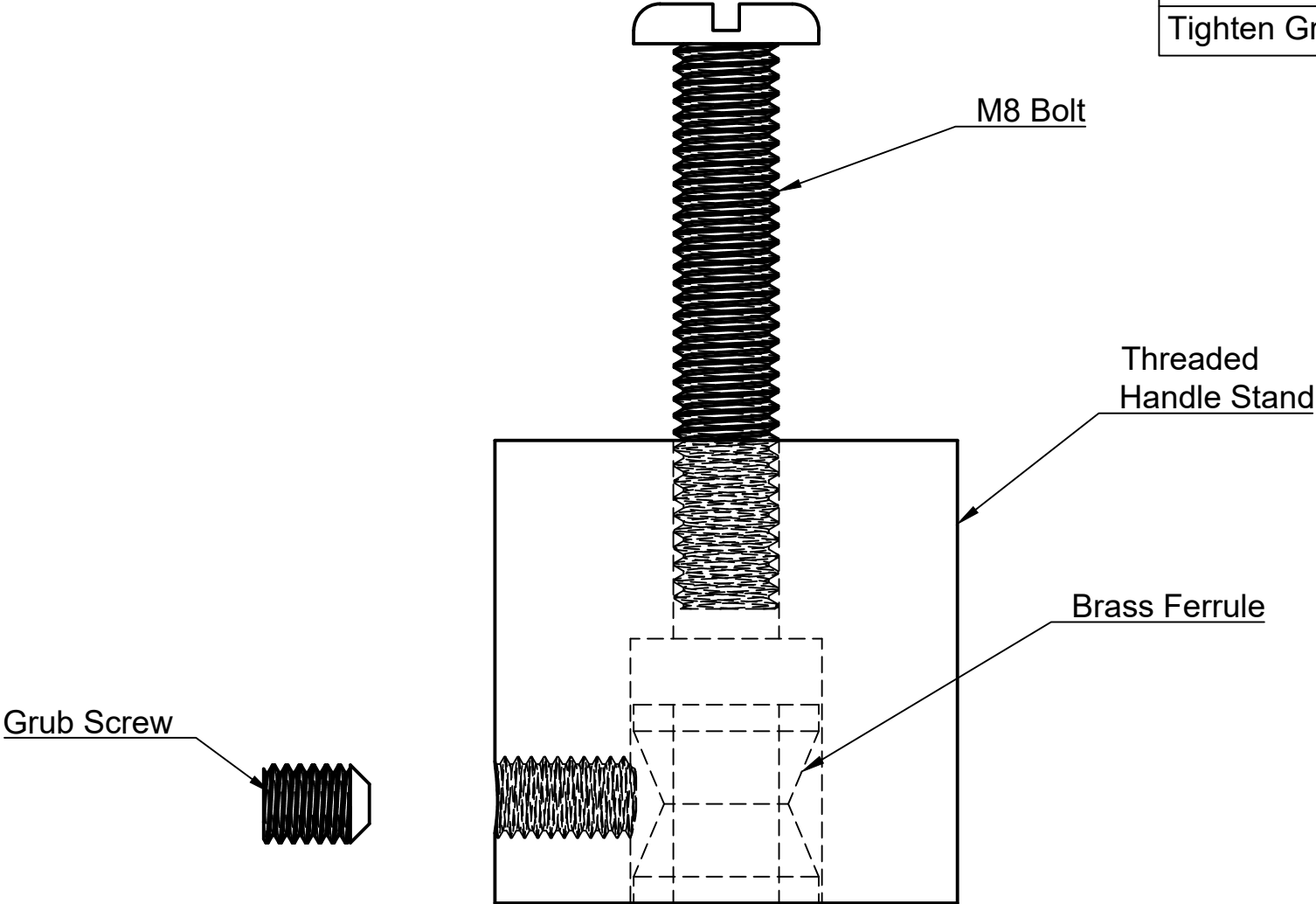


Drawing
Entrance Handle Fixing B2B

Date
2/02/2023

Scale
2:1

Installation Instructions
IMPORTANT! Mark and drill door from both sides.
Cut bolt to required length. Allow 15mm longer than door thickness.
Screw stands from behind to door.
Place handle on stand, inserting Ferrules into stand.
Tighten Grub Screws



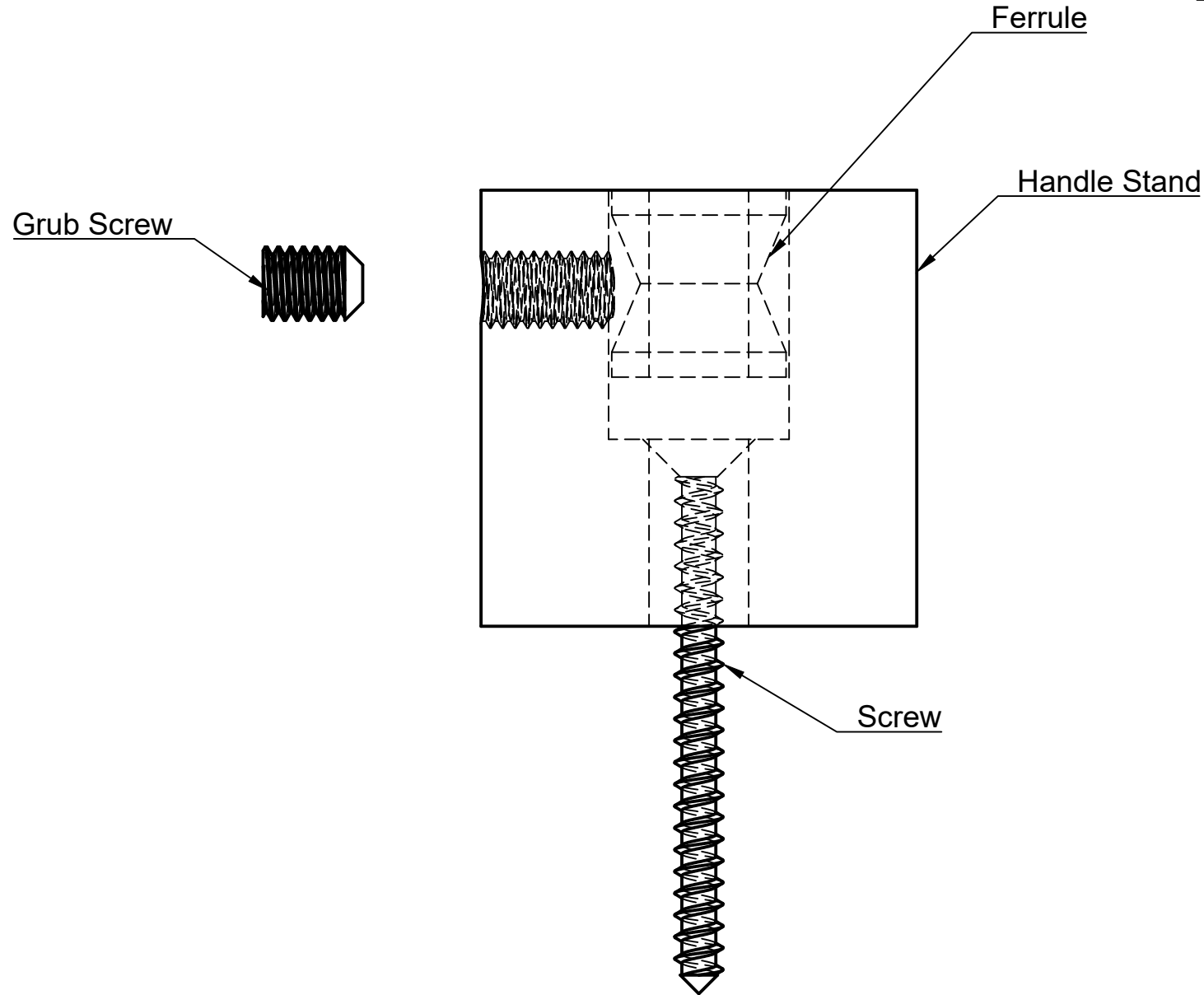
Drawing Entrance Handle Rear Fixing
Date 2/02/2023
Scale 2:1

Installation Instructions

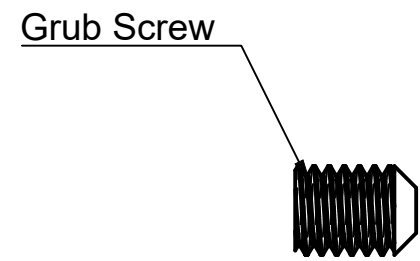
Screw stand to door.

Place handle on stand, inserting Ferrules into stand.

Tighten Grub Screws



Drawing
Entrance Handle Surface Fixing
Date
2/02/2023
Scale
2:1



Brass Ferrule

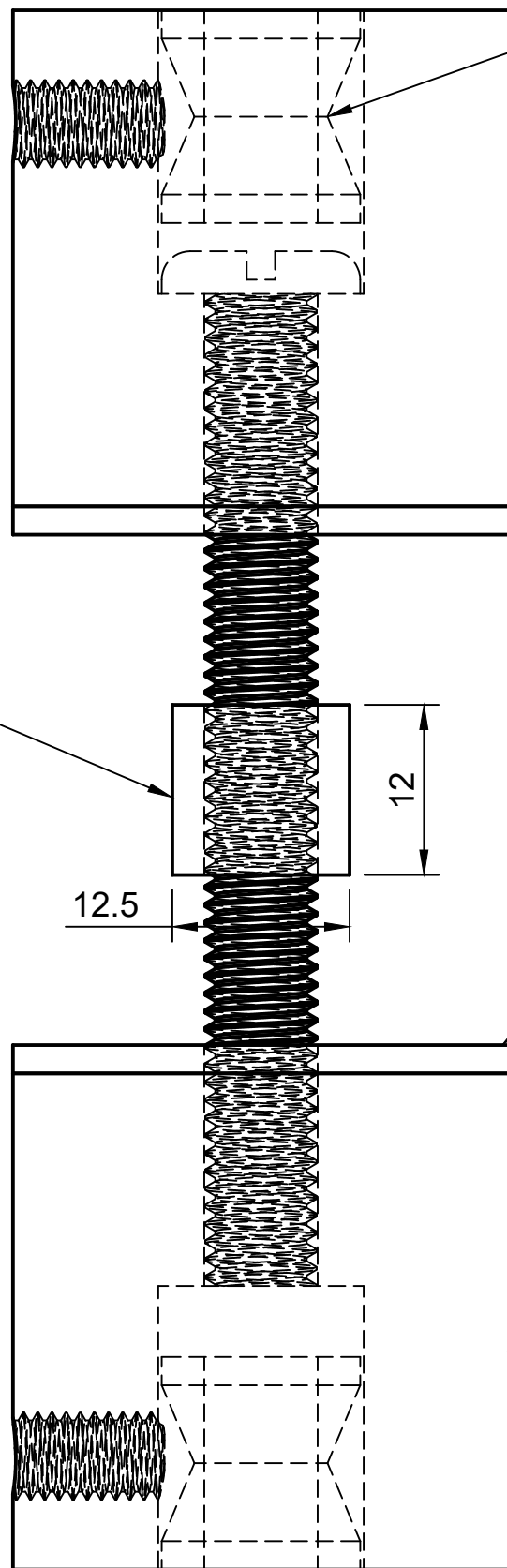
Handle Stand

Plastic/Rubber Washer
(only for glass fixing)


Plastic/Rubber Washer
(only for glass fixing)

Plastic/Rubber Washer
(only for glass fixing)

Threaded Handle Stand



Glass Fixing Installation Instructions	
Drill 13mm holes for bolt and plastic/rubber washer	
Check dimensions carefully prior to drilling holes, each handle in our range is different.	
Cut bolt to required length. Allow 30mm longer than the door thickness.	
Screws stands together through door, including the plastic/rubber washers as shown in the drawing.	
Place handle on stand, inserting the Ferrules into the stand.	
Tighten Grub Screws.	
Glass Fixing Kits with Rubber/Plastic parts are sold seperately	
Rear Fixing Studs are available when only one side requires a handle.	

	Drawing Entrance Handle Glass Fixing B2B
	Date 30/08/2024
	Scale 2:1